

Disco

Assembly
Guide

pedestal®

Congratulations on your new Pedestal product and welcome to a more colorful way of living. You are now part of a design universe where thoughtful details and bold character come together to elevate your interior.

Rooted in Scandinavian design tradition, our products are crafted with a deep commitment to quality, simplicity, and functionality. This is where form follows function – playfully.

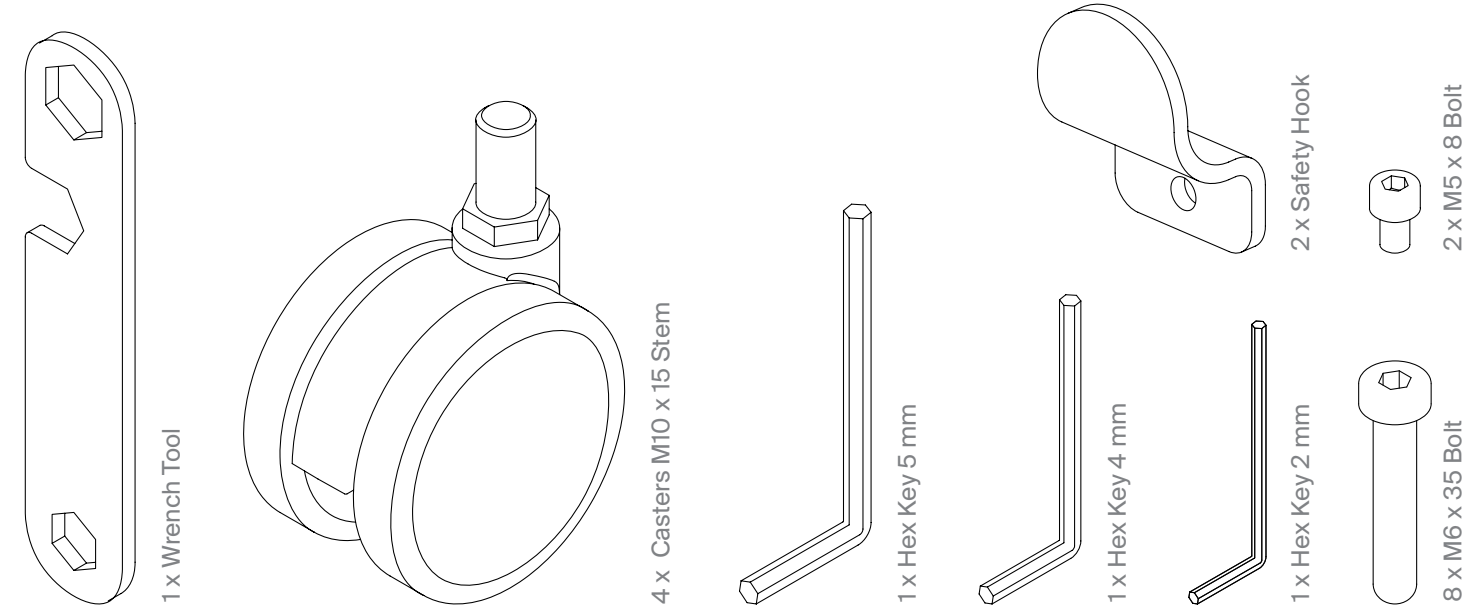
So let's get started.

/Pedestal

Parts

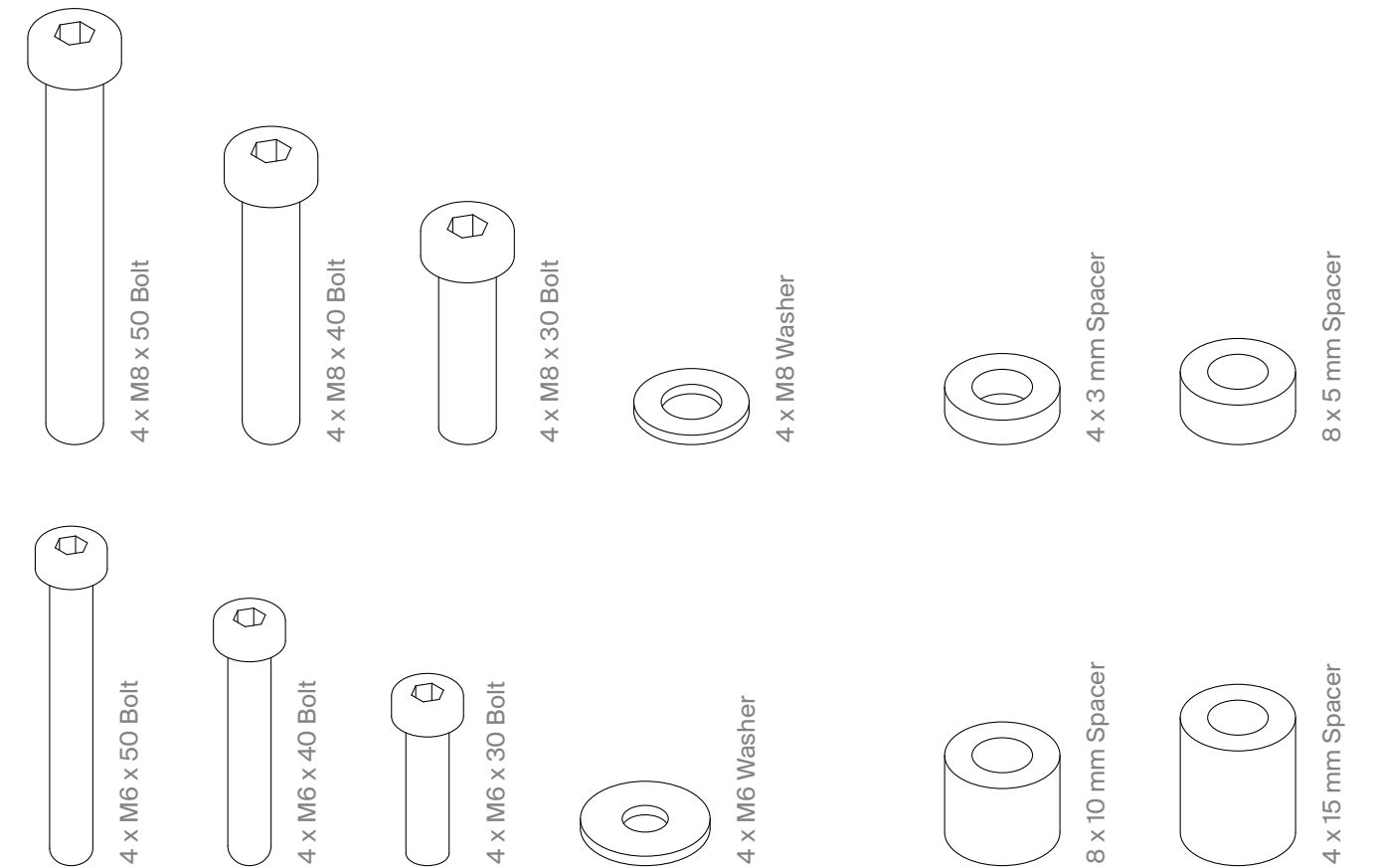
Assembly kit – Step 1

Putting your Pedestal together.



VESA-Kit – Step 2

Mounting your screen.

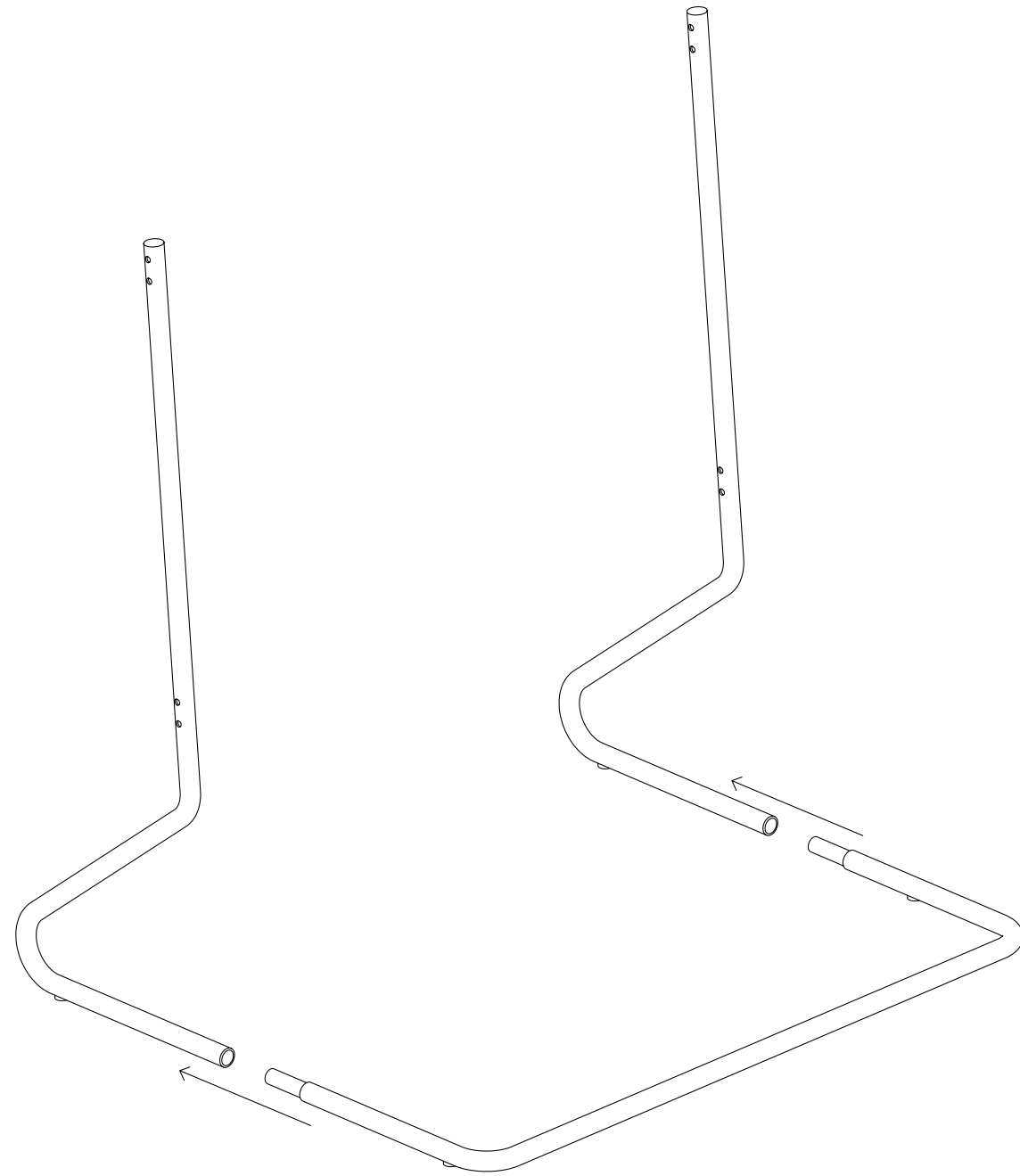


Disco is designed by Pedestal ApS.
Ib Spang Olsens Gade 12, 8200 Aarhus N, Denmark.

Copyright © Pedestal ApS - All rights reserved.

Scan the QR code to access all our guides or get in touch at pedestal.com

1.0 Getting started

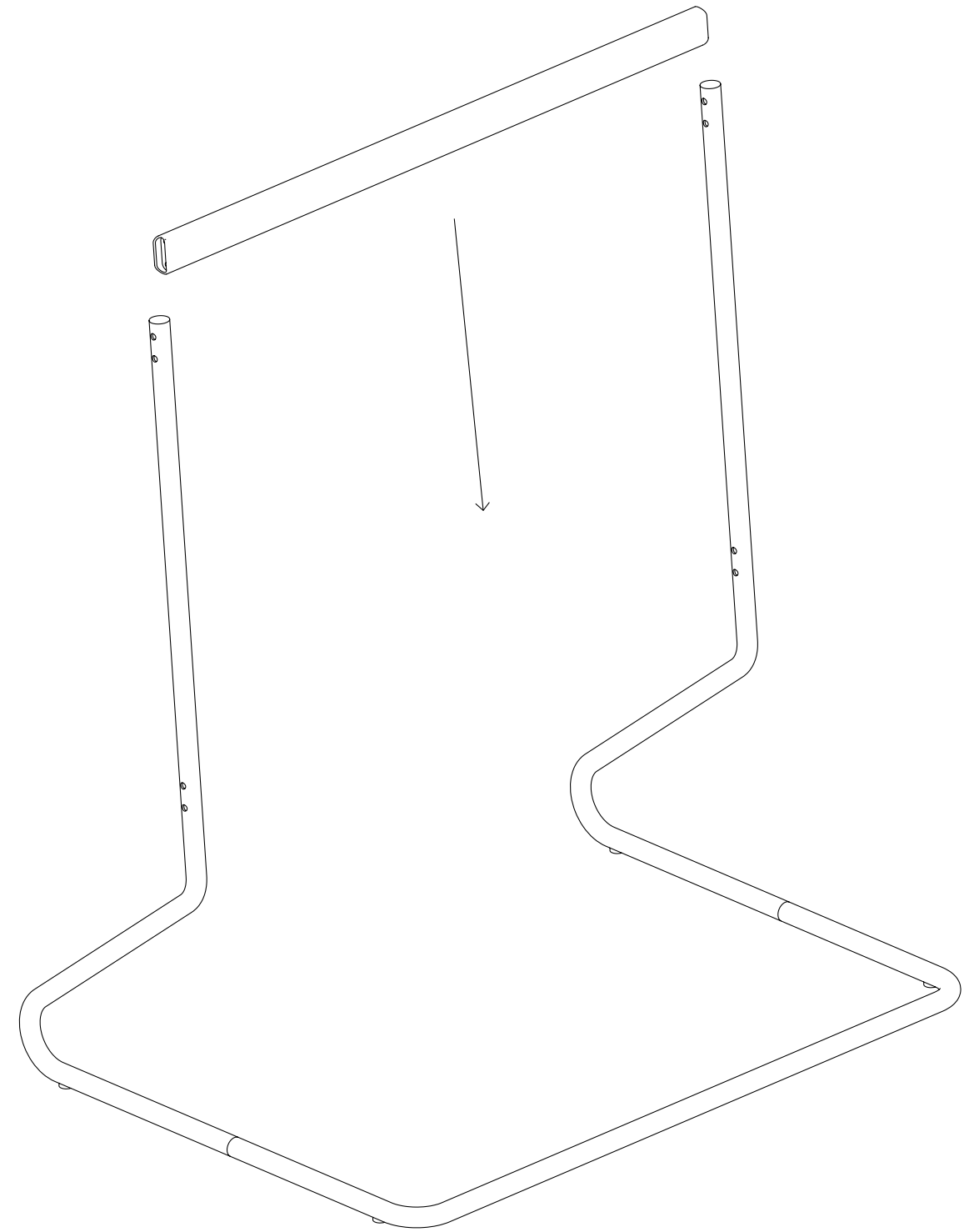


Task

Let's start by connecting the legs to the U-shaped tube and align everything – it'll make the rest of the build a whole lot easier.

Find a soft surface like a blanket or cloth to assemble on – this helps prevent scratches right from the start.

2.0 Mount the brackets



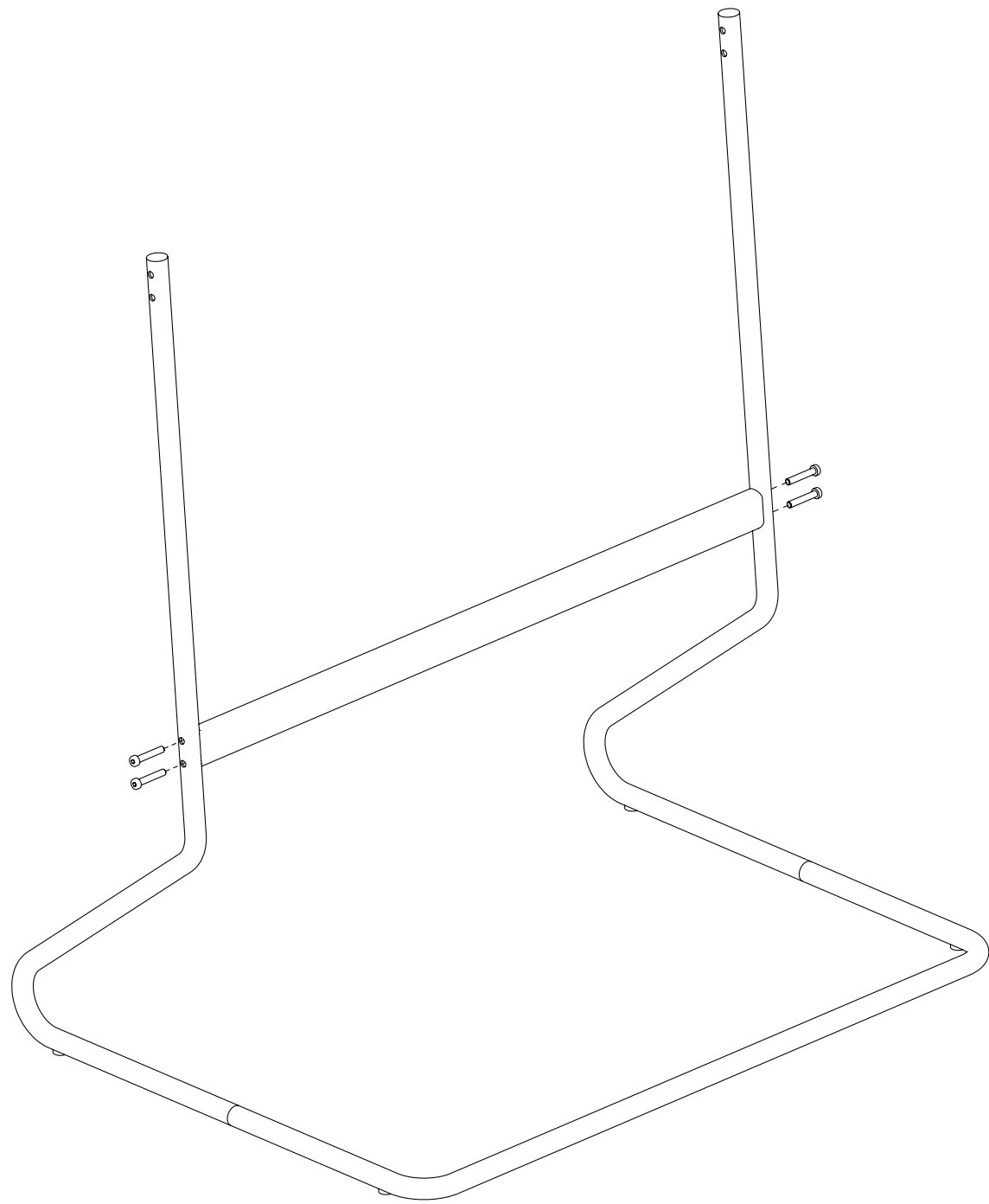
Task

Carefully slide the crossbar into place.
Align the holes in the brackets with the threaded holes in the crossbar.

Attention!

The stand isn't stable yet – see if someone can lend a hand, to avoid damage to the stand or its surroundings.

2.1 Attach the first bracket



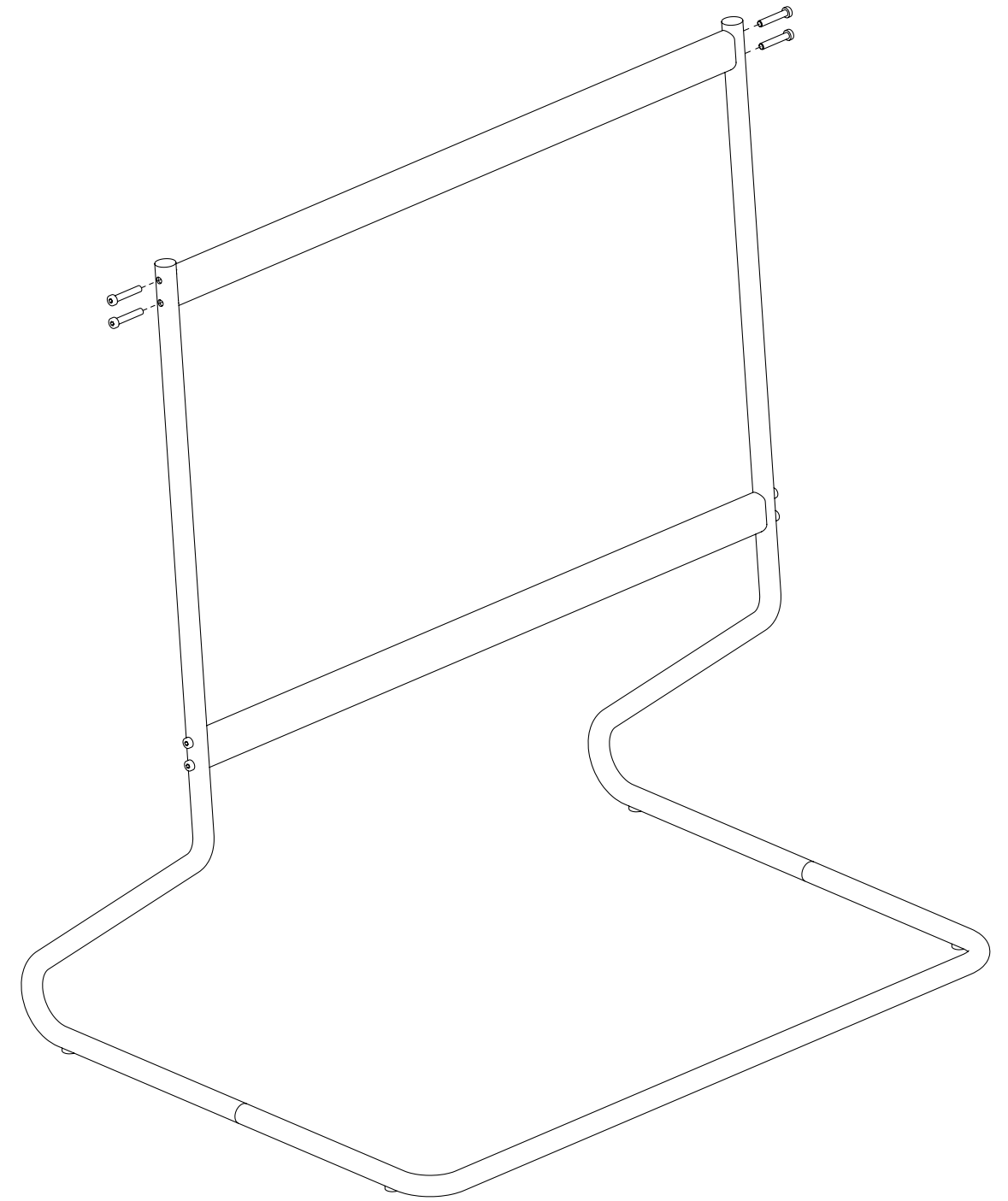
Task

Loosely attach the first bracket using the M6 bolts from the bag marked STEP 1. Just use your fingers – no need for tools yet.

Parts

4 × M6 x 35mm bolt

2.2 Attach the second bracket



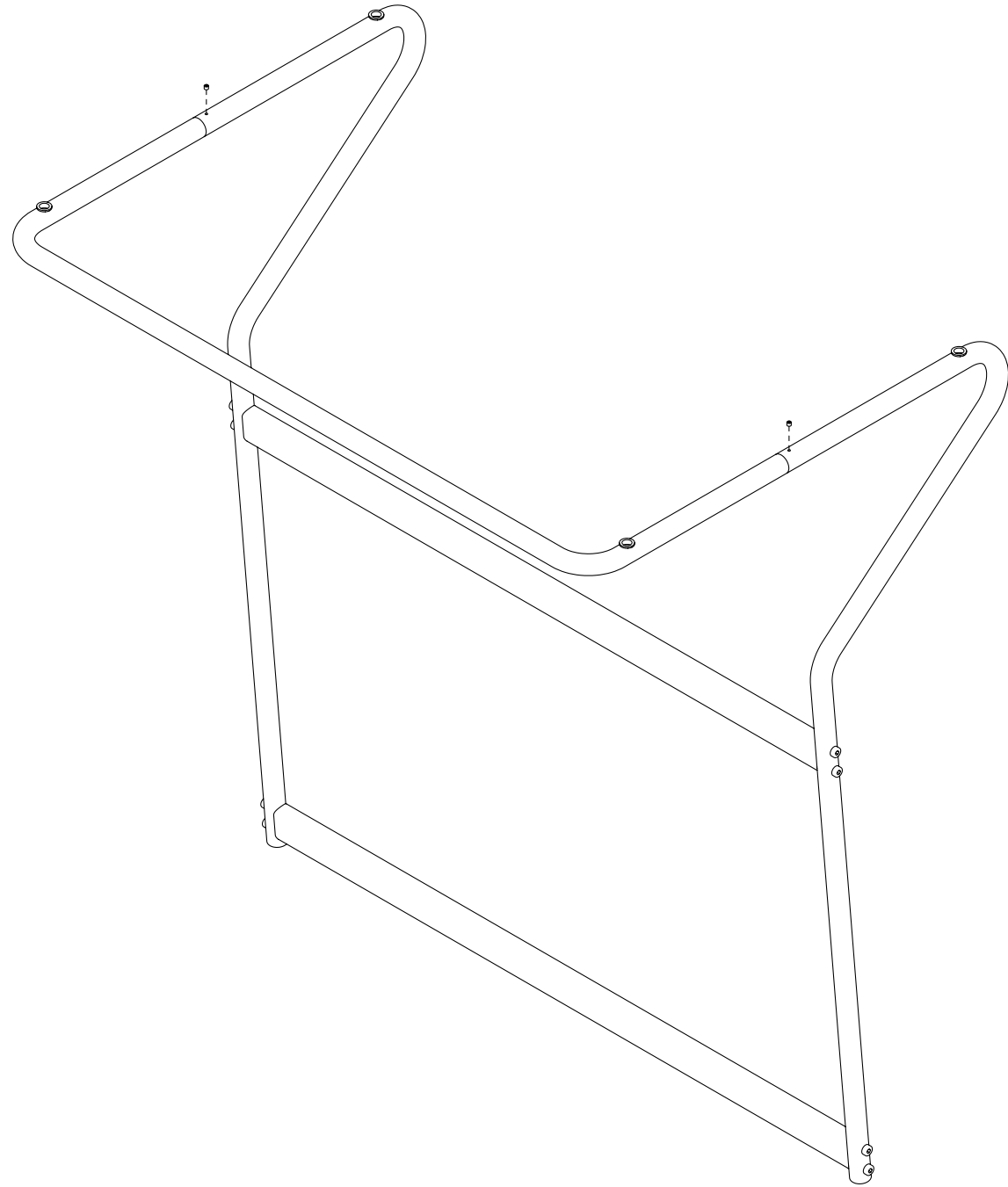
Task

Now mount the second bracket, just like the first. Once it's in place, go ahead and tighten all the bracket bolts using the 4 mm hex key. Psst... that's the second-largest hex key in the kit.

Parts

4 × M6 x 35mm bolt

3.0 Fix the tube



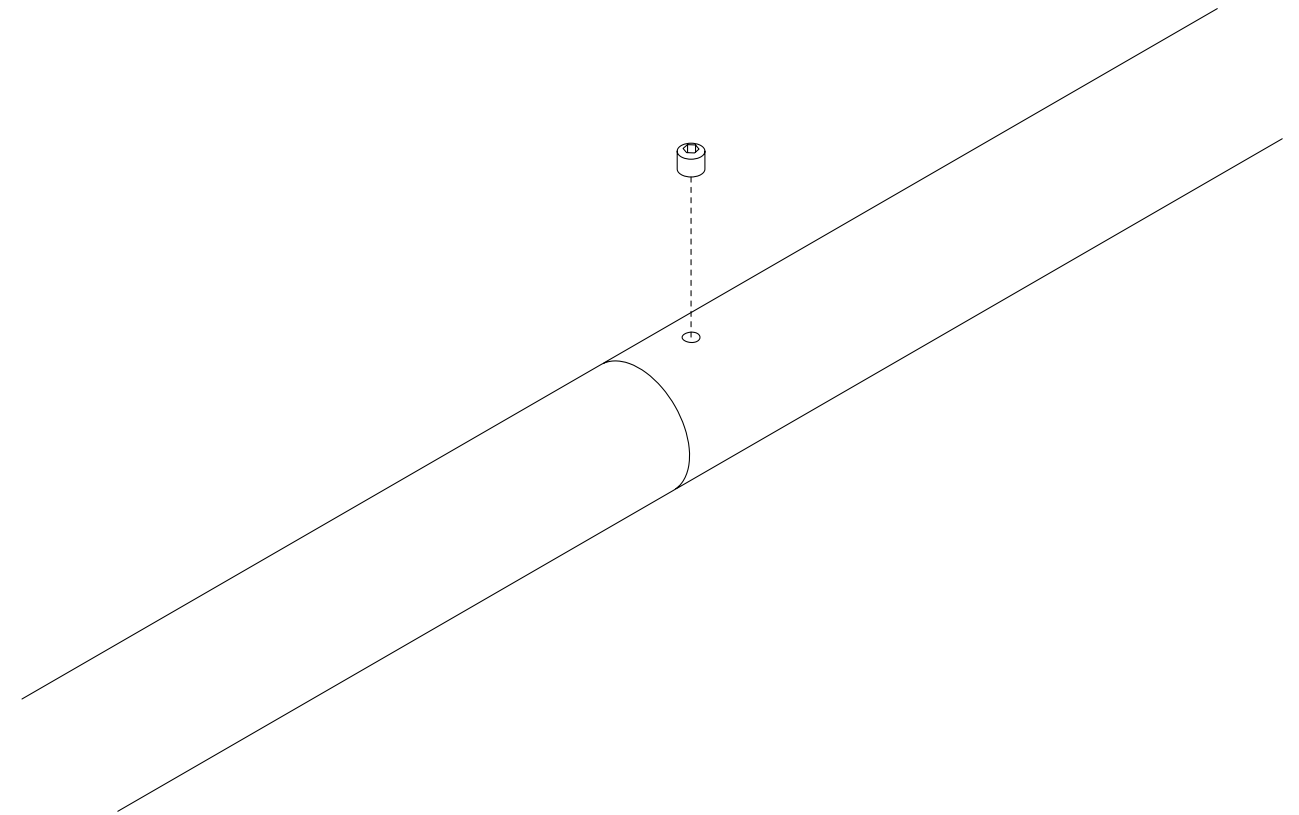
Task

Give the stand a flip and fix the tube using the two tiny set screws and the smallest hex key. This calls for a steady hand and some precision.

Parts

2 × M4 x 3mm Set Screw

3.1 Detailed view



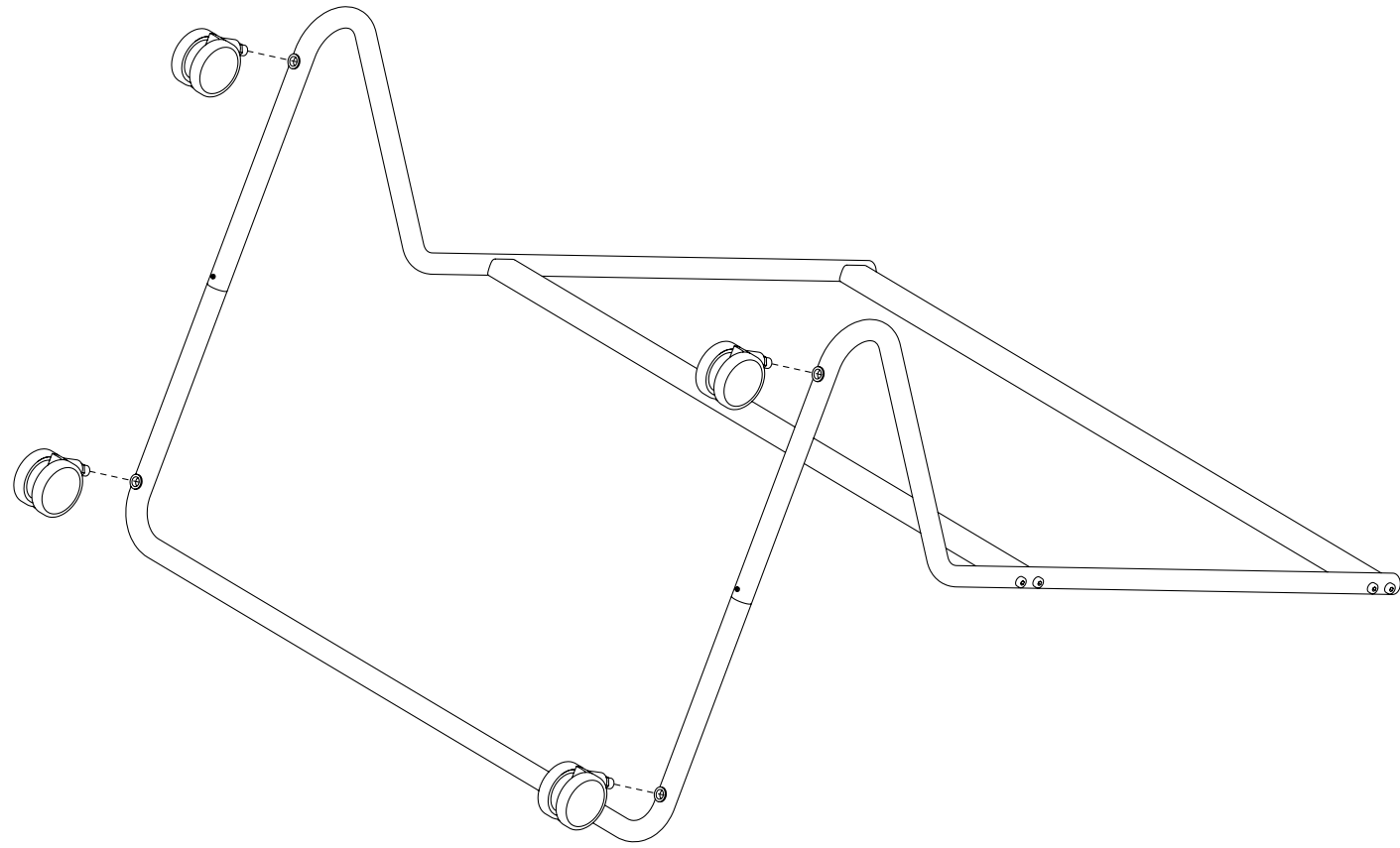
Tip!

Make sure the U-shaped tube sits nice and flush with the legs before fastening the set screw

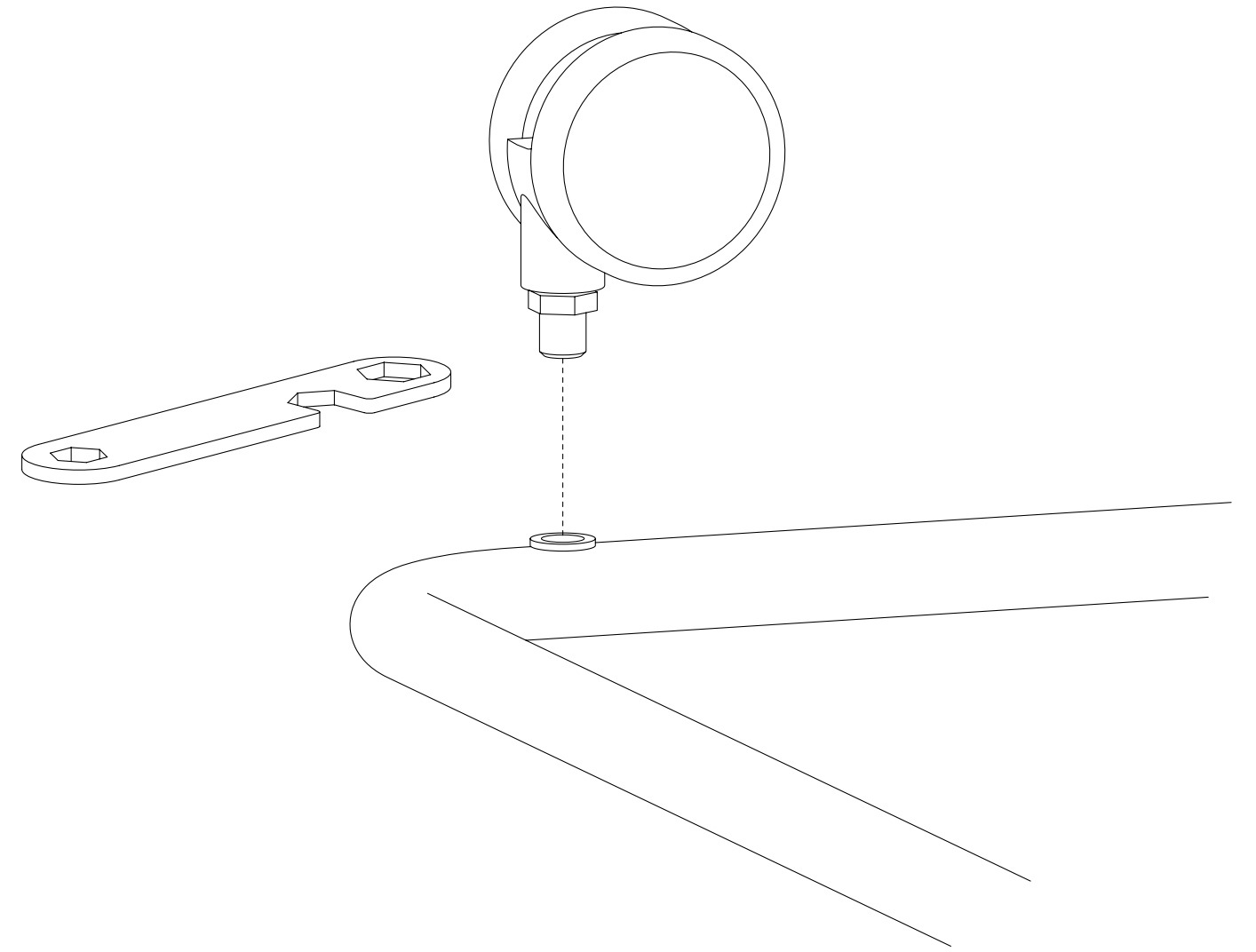
If the tube is not all the way in, give it a firm tap with the palm of your hand – nothing too aggressive, just enough to help it settle.

If you can't find the set screws, check inside the folds of the bag, that's where they usually hang out.

4.0 Mount the wheels



4.1 Wheel Mounting



Task

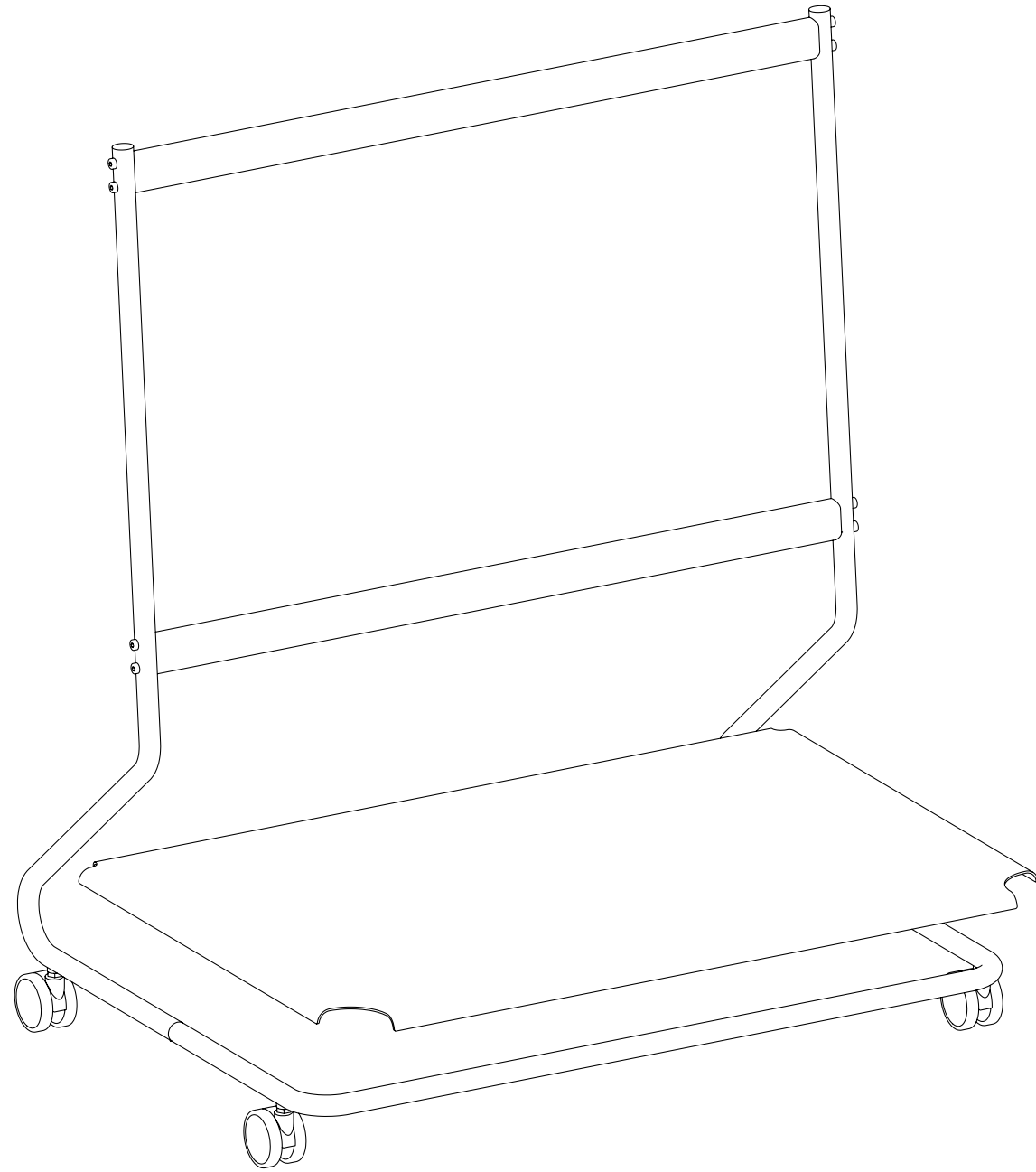
With the stand already flipped on its head - Attach all four wheels using the open side of the wrench tool.

Parts

4 x Casters

Close-up view of step 4.0

5.0 Mount the shelf



Stayin' alive, stayin' aligned!

Let's mount that screen!

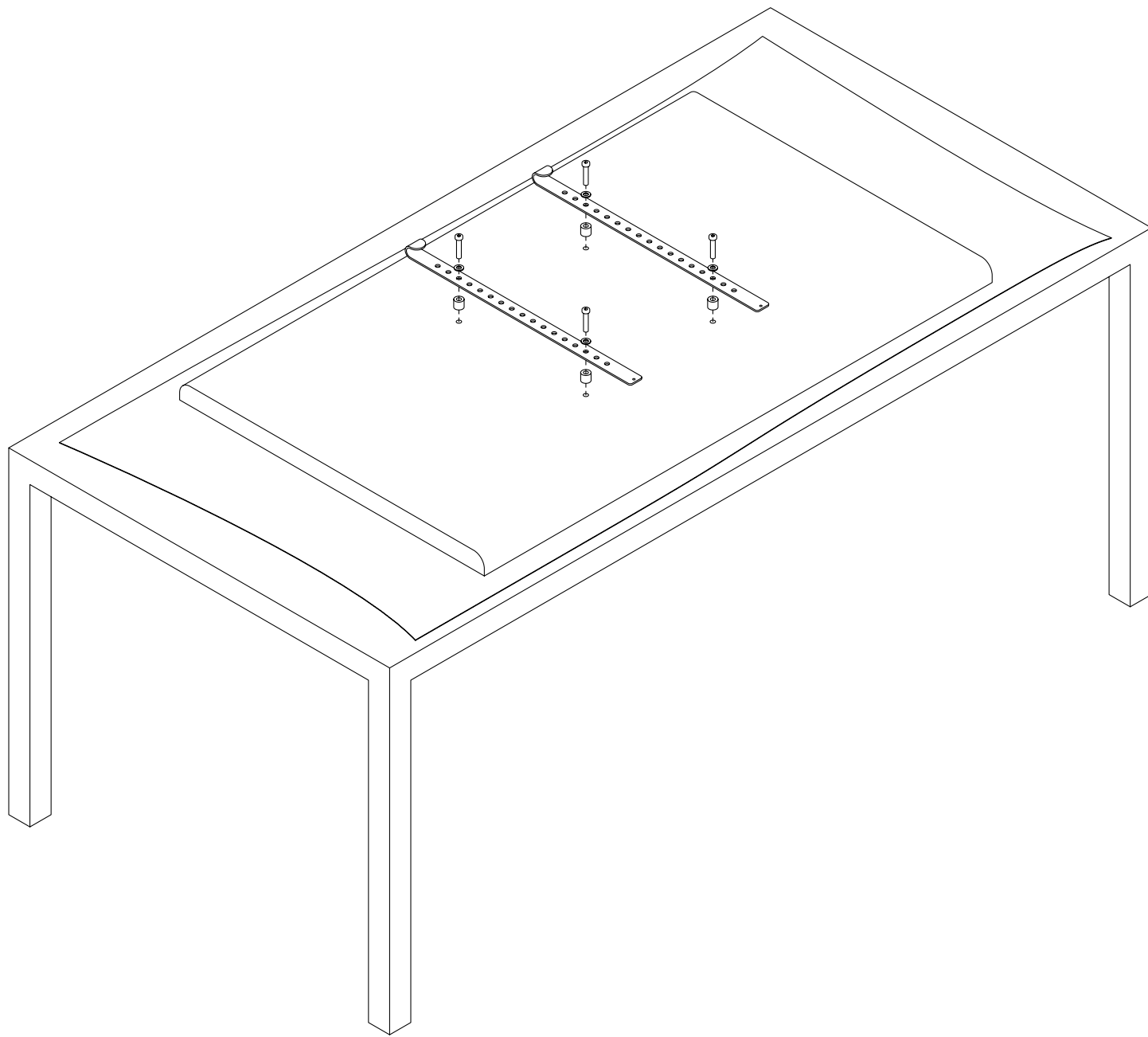
Task

Flip the stand back over and gently place the shelf onto the frame as shown.

Well done! It's all coming together!

Take five – you've earned it.

6.0 Mount TV Brackets



Task

Place your screen face-down on a soft surface like a cloth or blanket to prevent damage.

Mount the brackets vertically using the VESA holes on the back of your TV.
Using the hardware provided in the bag marked STEP 2.

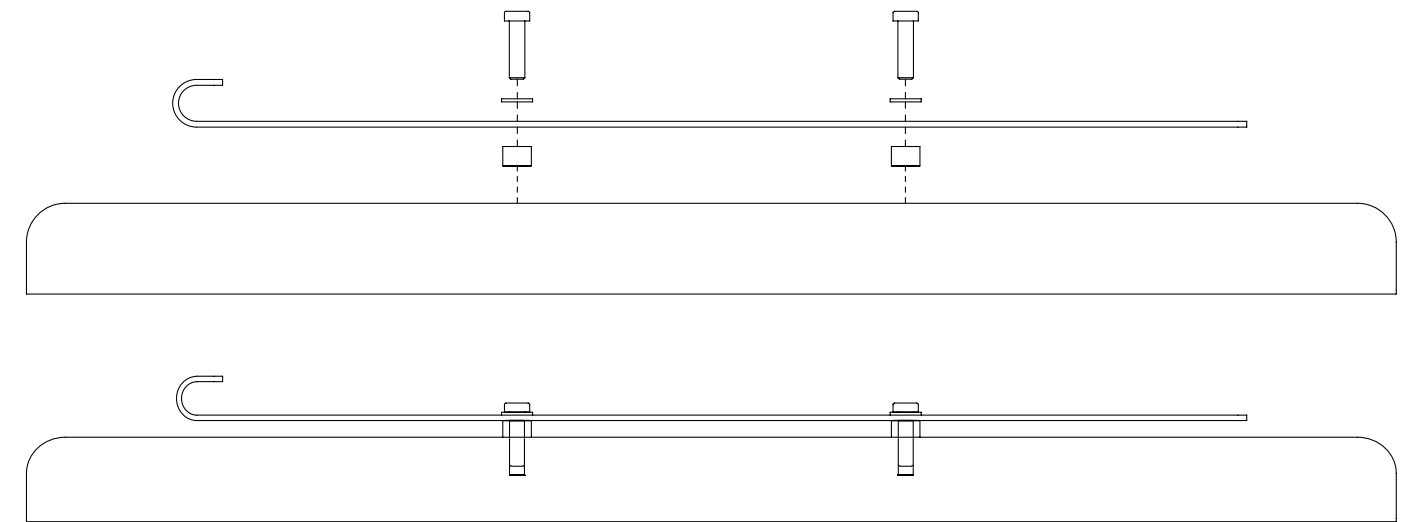
For help choosing the right hardware, see step 6.1.

Parts

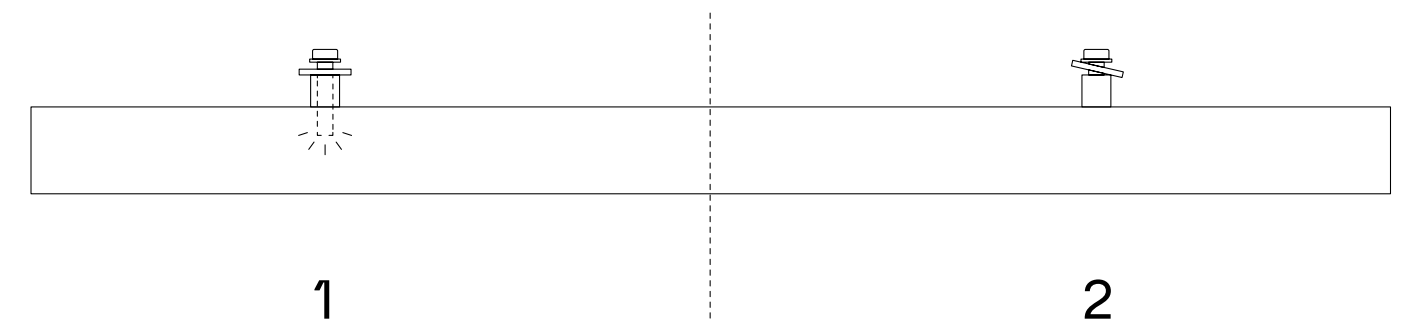
- 4 x Suitable bolts
- 4 x M6 or M8 washers
- At least 4 x Suitable spacers

6.1 TV brackets fitting

Correct fit



Incorrect fit



Don't panic!

Don't worry when you see all those bolts, washers, and spacers - you won't need them all. We've included a generous selection to fit as many screen types as possible.

Start by figuring out what fits your screen best. If your screen has a curved back or a bulky center, you may need to stack a few extra spacers so the brackets sit comfortably without touching the screen directly.

Now, thread the correct bolt through a washer, into the bracket, then through any necessary spacers, and finally into the threaded holes on the back of your screen.

Tighten everything until it feels snug - not super tight. The bolts shouldn't reach the bottom of the holes. Give them a confident twist, but don't flex your muscles too much. Overtightening can damage the screen, and we want to keep things in one piece.

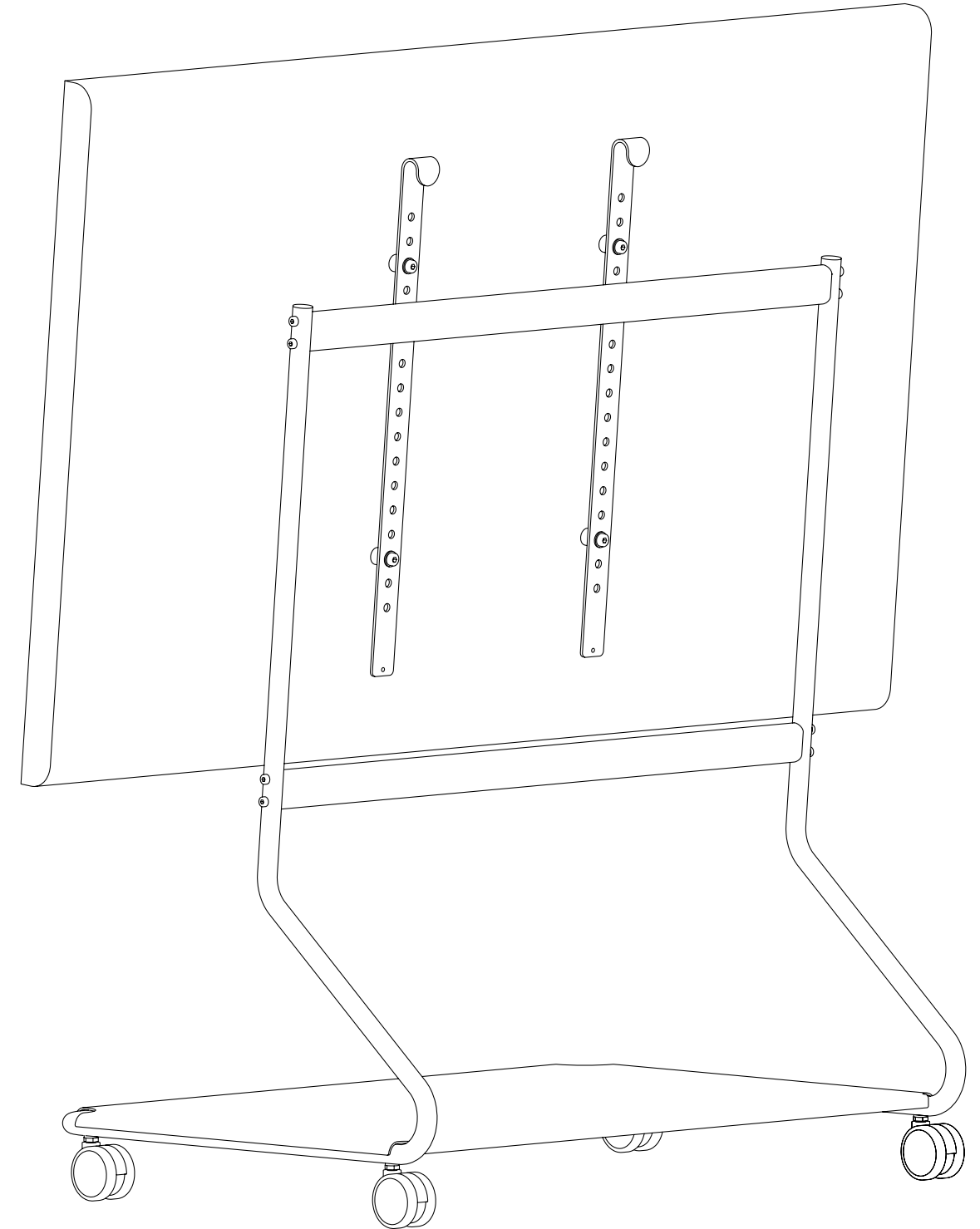
Having trouble finding the perfect spacer?



No problem!

Just stack, mix, and match until everything fits nicely.

7.0 Mount screen

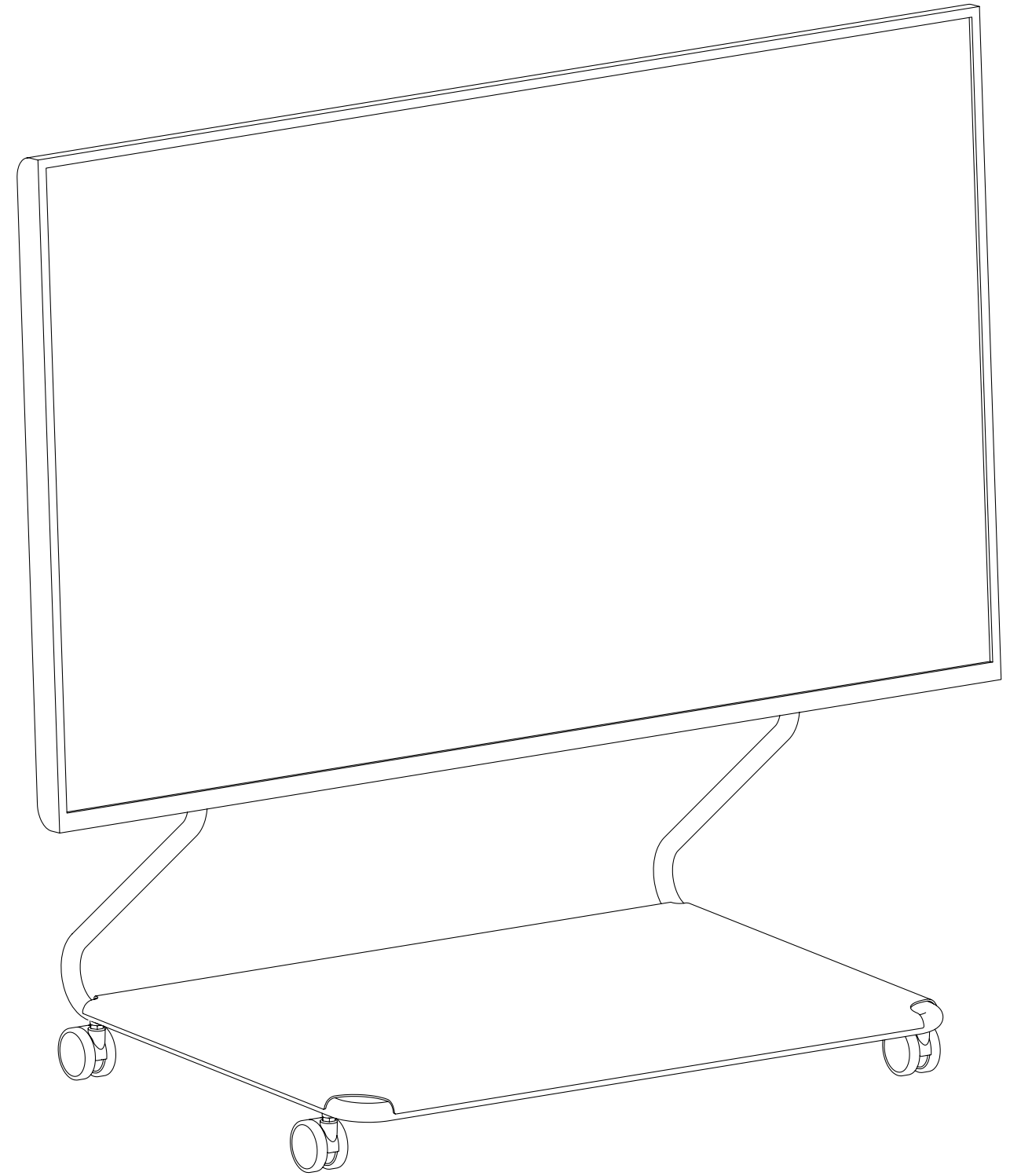
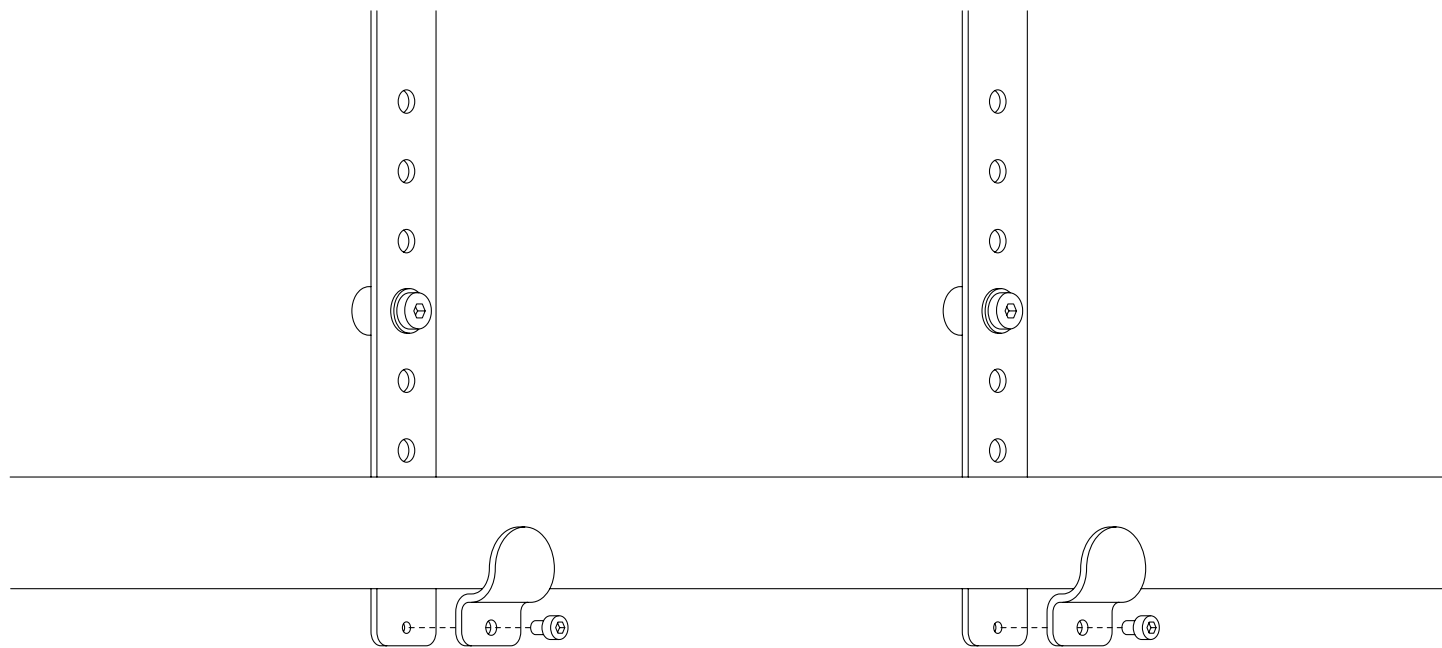


Task

Carefully lift and lower the screen onto the stand.
It helps to have a friend for this step – screens can be heavy and awkward to handle!

7.1 Mount safety hooks

All done!



Task

Secure the screen to the stand using the safety hooks.
Tighten all connections to lock everything in place.

Parts

2 x M5 x 8mm Bolts

Task

That's it!
Time to connect your cables, grab the remote, and dive into your favorite show. You've earned it.

